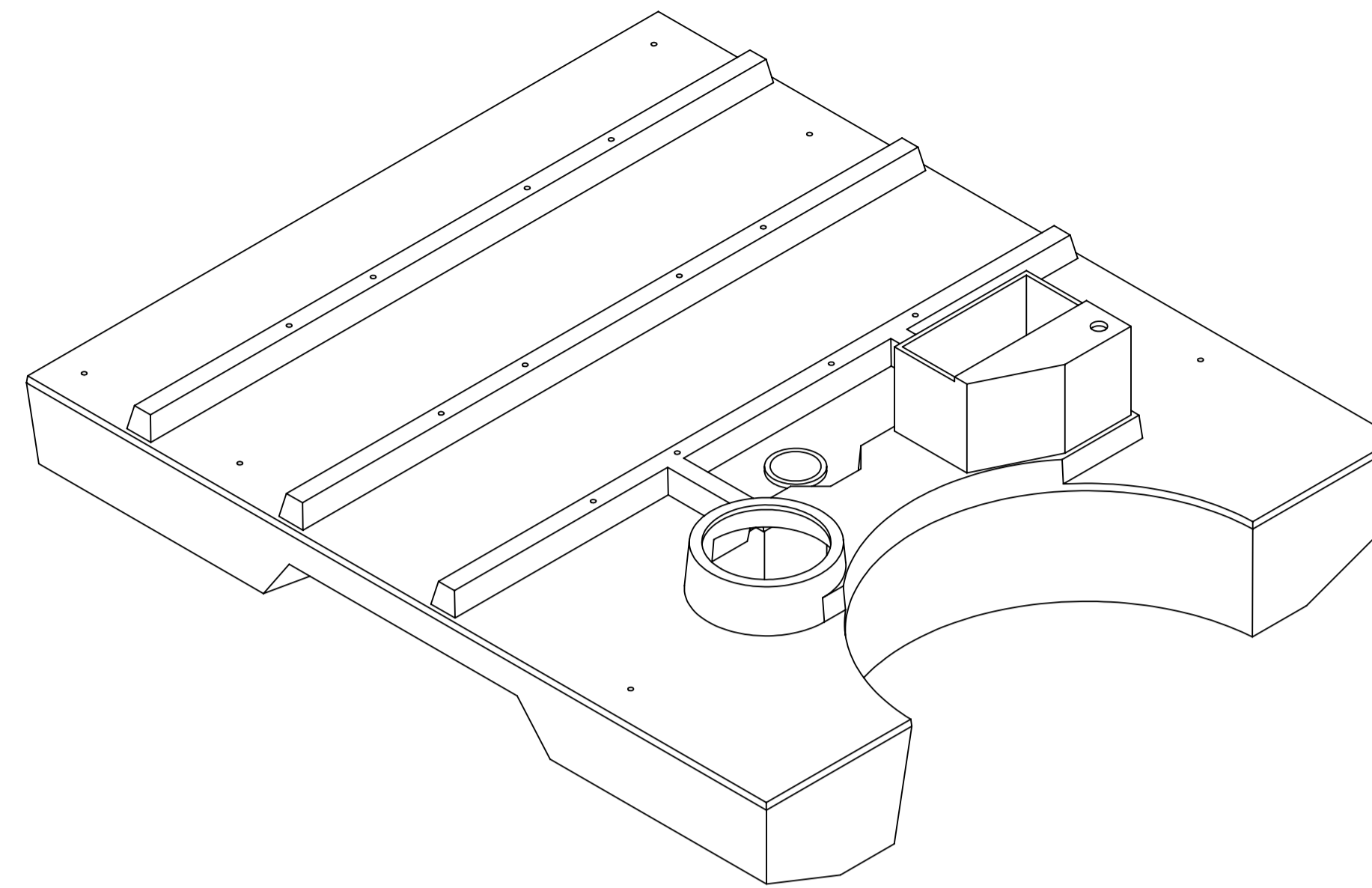
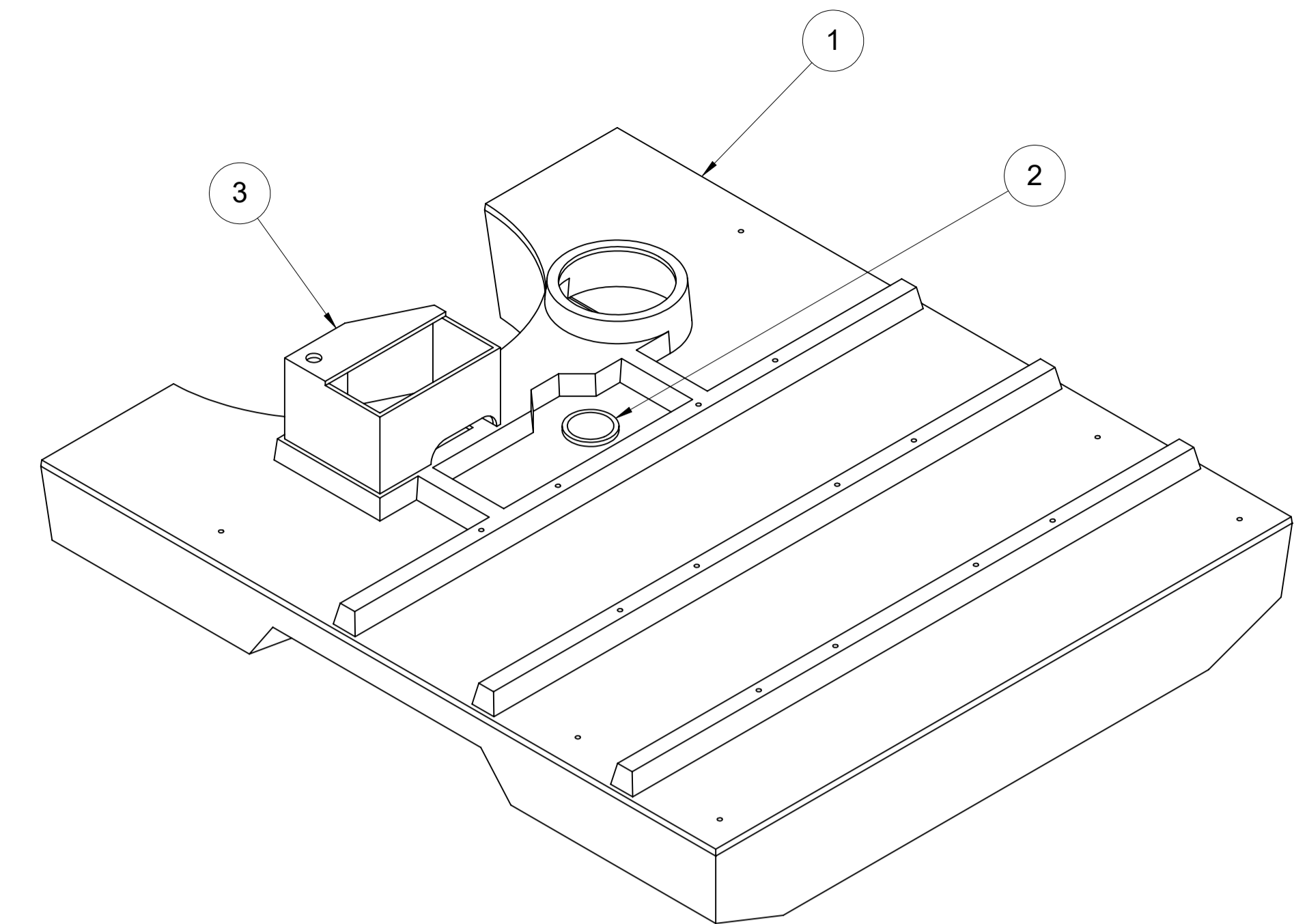


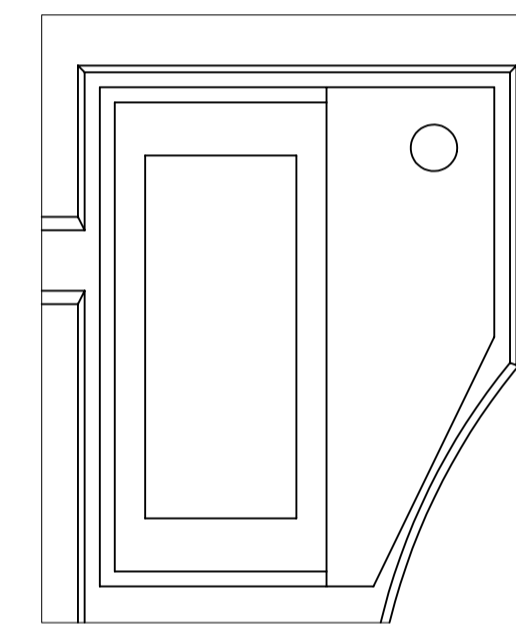
**TOP VIEW**



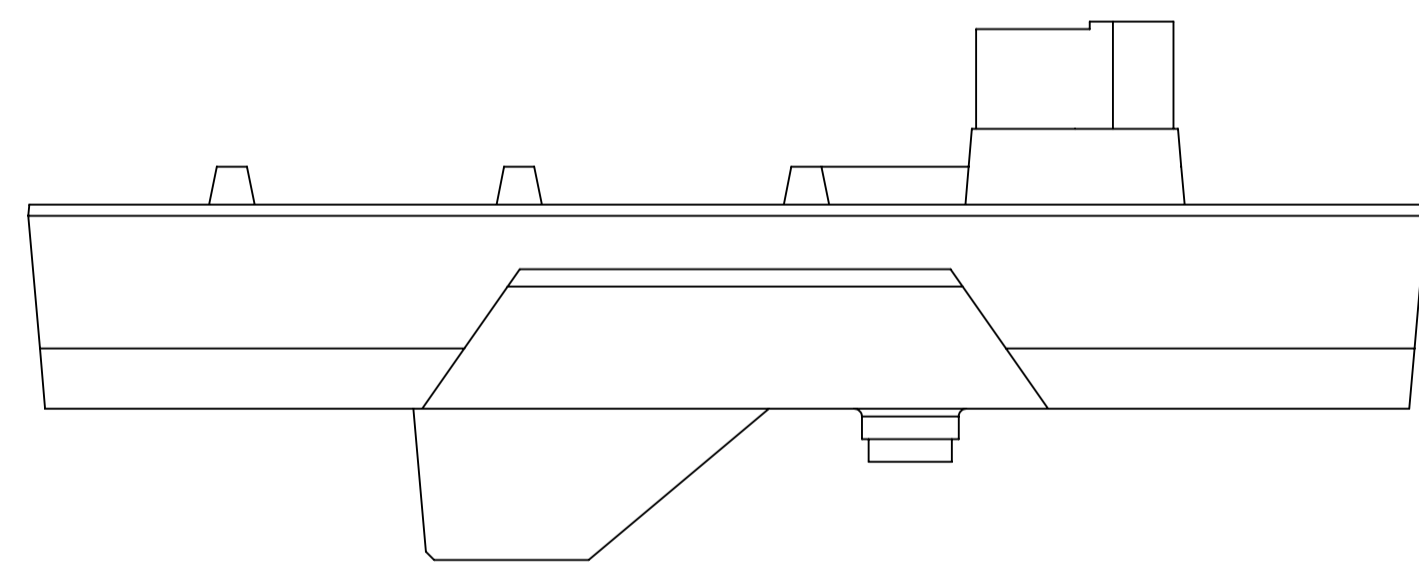
**ISOMETRIC VIEW**



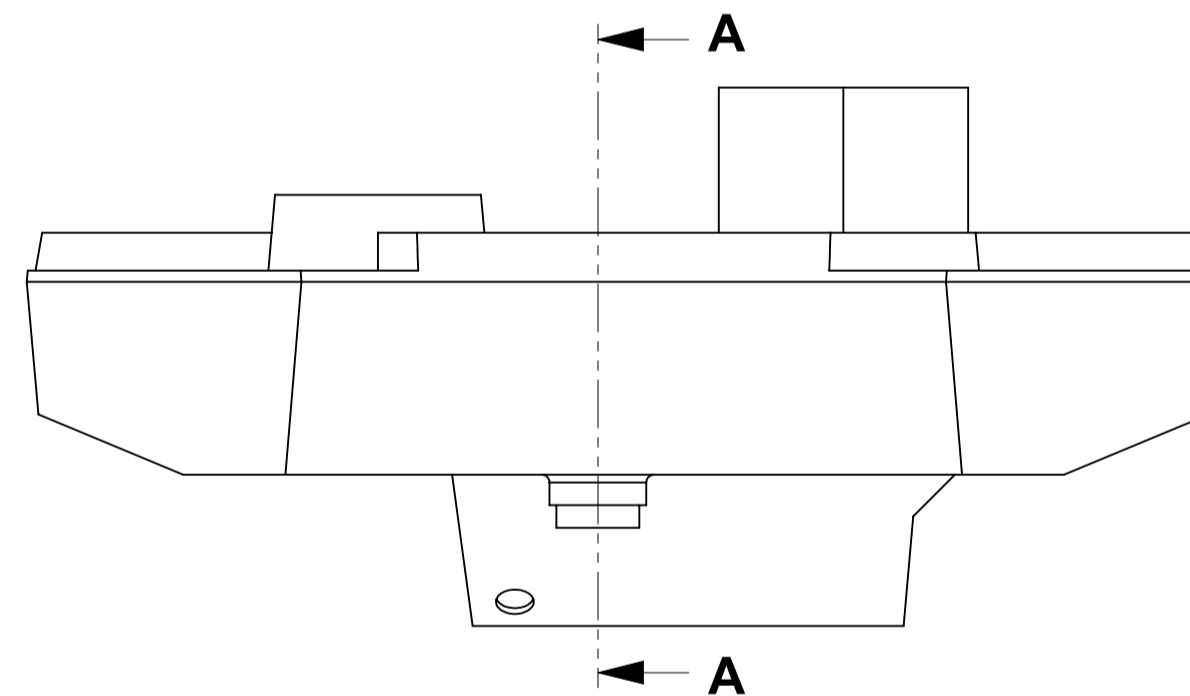
**REVERSE ISOMETRIC VIEW**



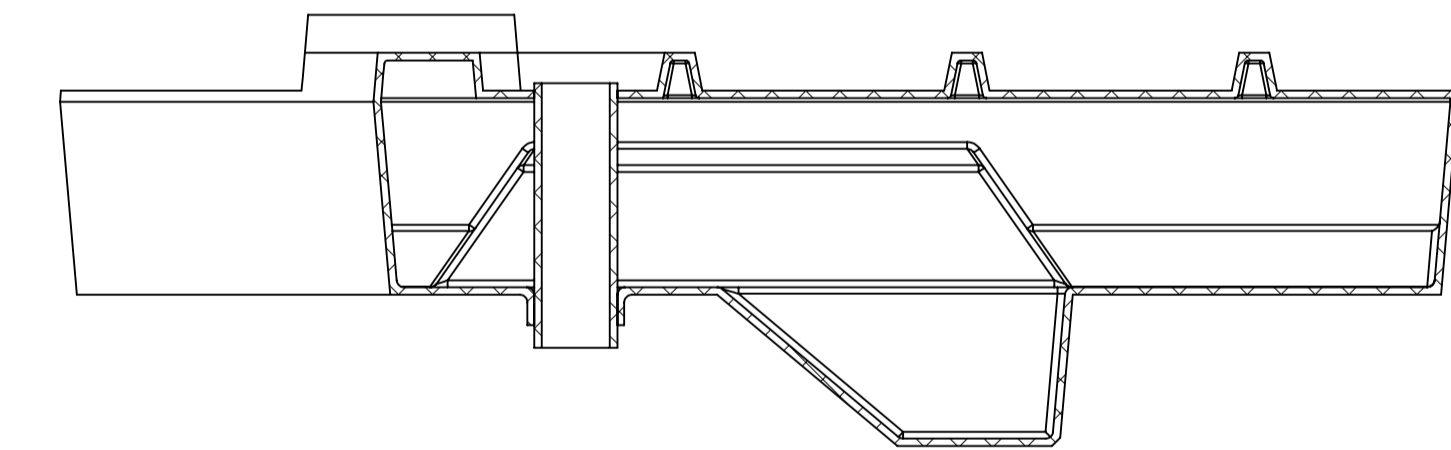
**DETAIL B**



**LEFT VIEW**



**TOP VIEW**



**SECTION A-A**

**APPROVED FOR CONSTRUCTION**

ITEM	QTY	PART NUMBER	DESCRIPTION
1	1	1925827	TANK - 550L - LANDCRUISER UNDERTRAY - TYPE 2
2	1	1925932	PIPE - OVERFLOW - 350mm
3	1	1925704	BOX - OVERFLOW

SCALE: 1:10		SIZE: A1		UNITS: mm (U.N.O)		TOLERANCE: (U.N.O)		DESCRIPTION:	
DRAWN: C.EMERY		DATE: 11/08/2020		0mm ±1.50		0.0mm ±1.00		12 Main Drive Warana QLD 4575 www.quikcorp.com.au "the real experts"	
CHECKED: M.KAY		DATE: 11/08/2020		0.00mm ±0.10		0.000mm ±0.01		ASSY - WELDED - 550L LANDCRUISER UNDERTRAY TANK - TYPE 2 TANKS	
APPROVED: M.KAY		DATE: 11/08/2020		FINISH:NATURAL		PROPRIETARY AND CONFIDENTIAL		DRAWING NO. 1925826	
0 11/08/2020 APPROVED FOR CONSTRUCTION C.EMERY M.KAY 11/08/2020		NOTES: 1.REMOVE ALL SHARP EDGES AND DEBURR 2.WEIGHT: 72.64kg		THE INFORMATION CONTAINED IN THIS DRAWING IS THE SOLE PROPERTY OF QUIK CORP PTY LTD. ANY REPRODUCTION IN PART OR AS A WHOLE WITHOUT THE WRITTEN PERMISSION OF QUIK CORP PTY LTD IS PROHIBITED.		PART NO. 1925826		REVISION 0	
REV	DATE	DESCRIPTION	DRAWN	APPR	DATE	SHEET 1 OF 1			